

Sioux Signature Series Sanders

S-Curve Lever
fits hand better than competitors' flat levers.



Lock Rings
Color indicates orbit:
Red - Fine, 3/32" Orbit
Black - Fine, 3/16" Orbit
Gray - Fine, 3/8" Orbit

60 Models available plus vacuum conversion kits

Interior Notches
Allow many positions yet prevent grip from inadvertently rotating



FEATURES & BENEFITS

- Patented Bearing Dust Shield and O-Ring Sealed Motor
- Super Ergonomic Grip
- Ergonomic S-Curved Lever
- Orbit-Identifying Lock Rings
- Easier Servicing

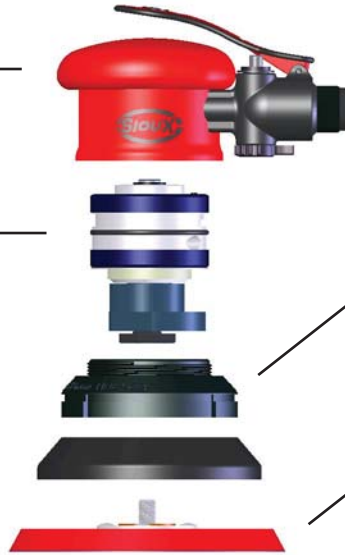
STANDARD OPTIONS

- 12,000 RPM, .25 HP, Low Vibration, Low Air Consumption
- 3 Orbits:
 - Fine – 3/32"
 - Standard – 3/16"
 - Coarse – 3/8"
- 4 Pad Sizes:
 - 3" & 3-1/2" (80 grams)
 - 5" (100 grams)
 - 6" (130 grams)
- Vacuum:
 - Standard (No Vacuum)
 - Remote (Central Vacuum)
 - Venturi (Self-Generated Vacuum)
- Pad Type:
 - Pressure Sensitive Adhesive (PSA)
 - Hook and Loop

Housings
Sioux Patent-Pending Features

Pneumatic Motors
12,000 RPM
Orbits: 3/32", 3/16", 3/8"

Shrouds
Standard and Vacuum
Large and Small



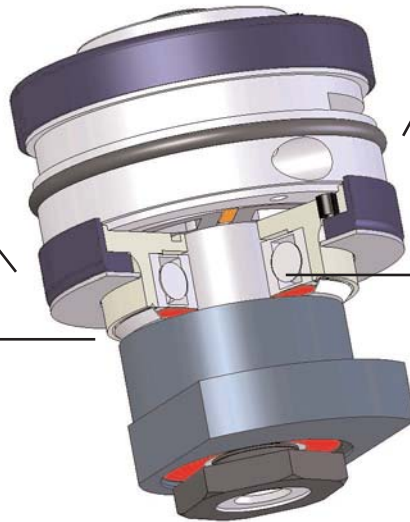
Lock Rings
Different color Lock Rings to indicate orbit

High Quality Sioux Pads
Standard and Vacuum
PSA and Hook & Loop
3", 3-1/2", 5", 6"

Motor Details

Dual Vibration Dampeners
Isolates motor vibration from housing
Seals air passages

Metal Dust Shield
Rides in groove in lower endplate forming labyrinth seal
Retains red fiber washer to shield lower motor bearing from dust and grit



Circumferential O-Ring
Simplifies motor sealing, especially during installation
Seals air passages

Large Lower Motor Bearing
Longer Life

Shaft key clears endplate during disassembly -
Cannot broach endplate during disassembly



siouxtools.com



250 Snap-on Drive
P.O. Box 1596
Murphy, North Carolina USA 28906
PH: 828.835.9765
FAX: 828.835.9685
TOLL FREE: 866.259.7291
TOLL FREE FAX: 800.722.7236